

DEPARTMENT OF AEROSPACE ENGINEERING, PEC (DU). CHANDIGARH

No. PEC/AE/19/

Dated:

Sealed quotations are here by invited for the “Rocket Motor Test Rig” with attached specifications & diagram.

You are requested to send the sealed quotations by post of above/attached mentioned items by 07-11-2019, till 5.00 PM at following address:

Head
Department of Aerospace Engineering,
PEC (DU). Sector 12,
Chandigarh-160012

GENERAL TERMS AND CONDITIONS

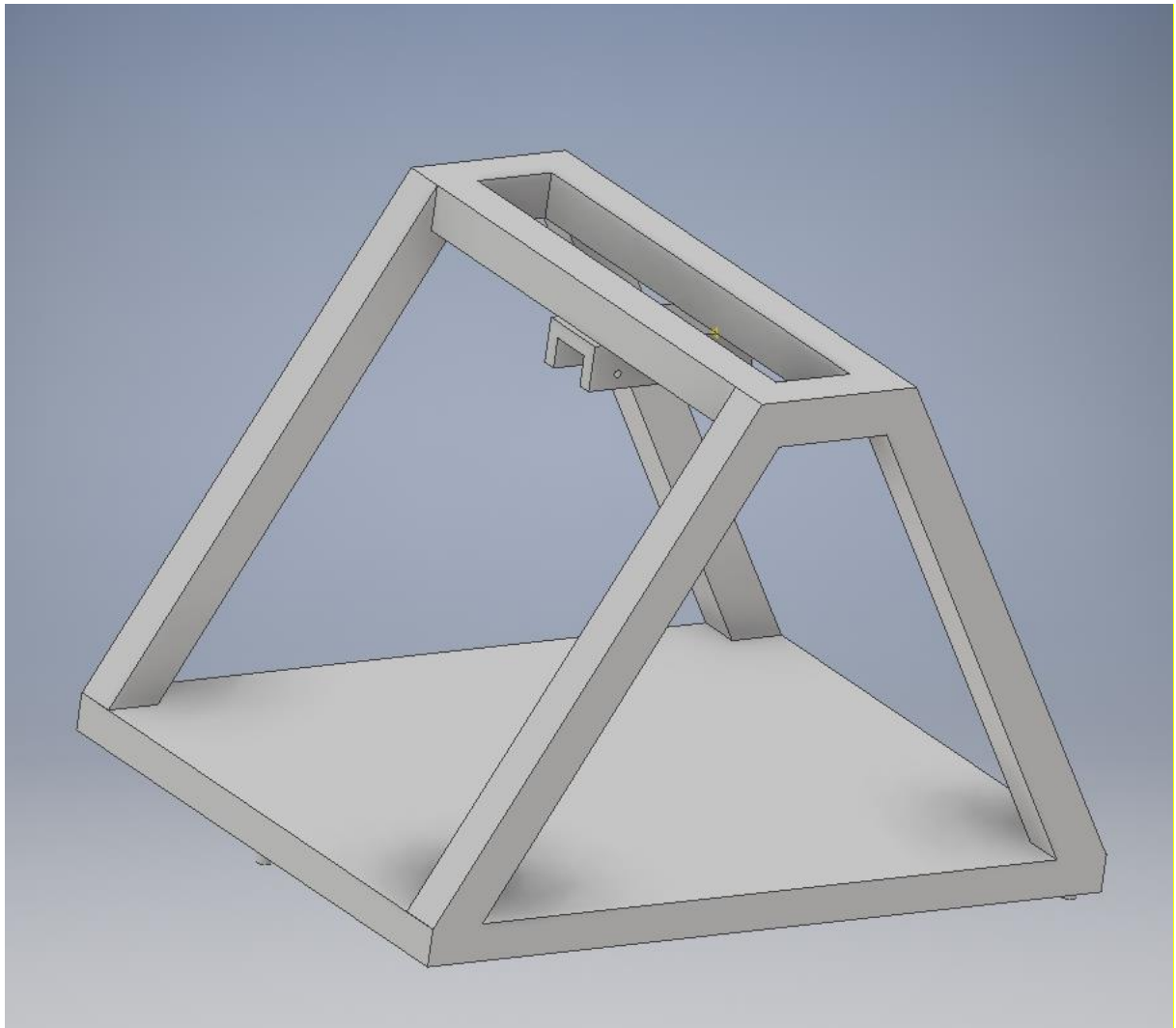
1. Rates should be quoted F.O.R. PEC University of Technology, Sector 12, Chandigarh and should include all freight charges, postage, packing, cartage duties etc. Sales tax to be indicated separately.
2. No advance payment will be made. Payment will be released after satisfactory receipt of goods/material and demonstration / installation and production of bill (in duplicate) in name of Director PEC University of Technology, Chandigarh.
3. The material will be accepted only after inspection at this Department. If not found suitable according to the specification, the same will be returned at the cost and risk of the supplier.
4. All disputes, if arise at later stage will be sorted out within the jurisdiction of U T Chandigarh.

Head
Aero. Engg. Deptt

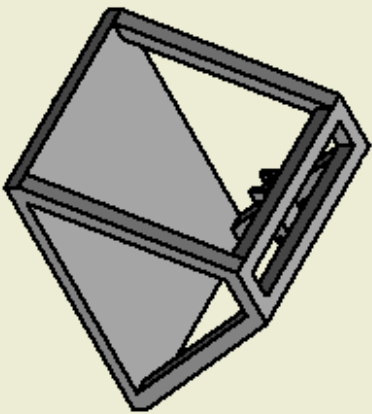
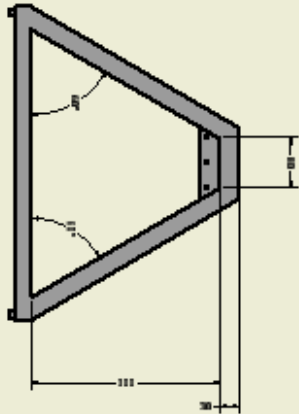
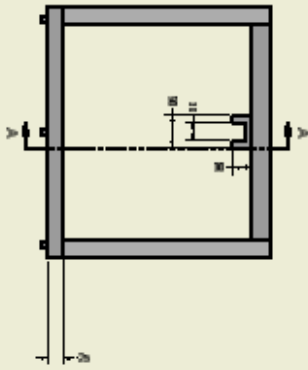
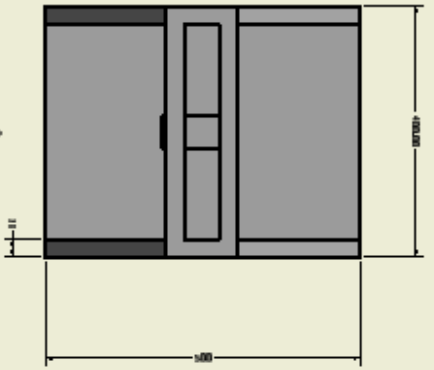
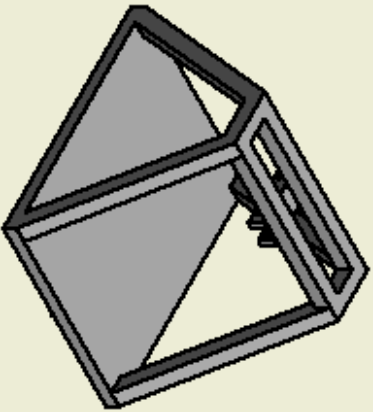
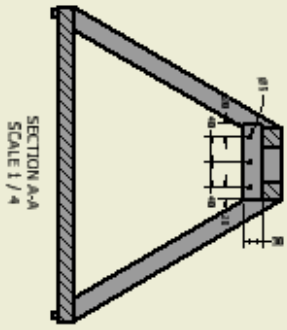
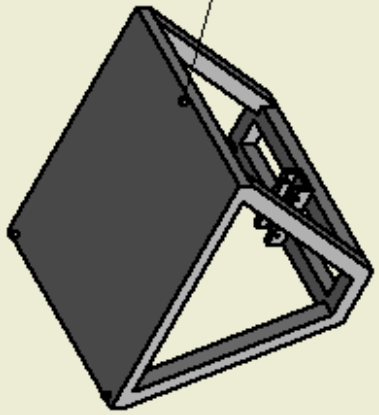
ROCKET MOTOR TEST RIG Specifications:

S.No.	Component	Details
1	Test Stand a) Material b) Dimensional tolerance	a) EN24 Steel b) 0.1 mm
2	Strain gauge Quantity: 12 nos	Uniaxial 120 Ohm foil strain gauge With lead wires
3	Strain gauge adhesive	Enough for pasting 12 strain gauges
4	Pressure sensor Quantity: 2 nos	Gauge pressure sensor Range: 0 – 10 bar gauge Response time: 2 ms (maximum) Sensitivity: 0.05% FS Input voltage: 10 V DC Output analogue: 0.5 to 10V
5	Data Acquisition Card	Interface type: USB 2.0 Bit resolution: 16 bit (minimum) Measurement channels required: <ul style="list-style-type: none">• 2 full bridge channels• 2 analogue input channels for pressure sensor Supply a compatible software interface to acquire data.

ROCKET MOTOR TEST RIG Diagram:



ADJUSTABLE
LEG SCREWS



ROCKET MOTOR TEST STAND

REV	DESCRIPTION	DATE	BY	CHKD
0	ISSUE FOR FAB			
1	ISSUE FOR FAB			
2				
3				
4				
5				

PROJECT	118-3000-01-10	DATE	
TITLE	ALL DIMENSIONS ARE IN MM		
SCALE	1:1	DRAWN BY	
CHECKED BY		APPROVED BY	
DATE		PROJECT NO.	118-3000-01-10
SCALE	1:1	DRAWN BY	
PROJECT	Rocket motor stand		
DATE		PROJECT NO.	118-3000-01-10